



VACUUM CHUCK

MODEL:EGVC



FEATURES:

- 1.The Vacuum Chuck works through compressor, more easy and convenient to operate than past vacuum chuck works through pump.
- 2.New design. Had improved many times as parts simplify, so less break down and easy to maintain.

APPLICATIONS:

- 1.Suitable for light cutting non-magnetic material such as light metal of aluminum, brass, copper, alloy, stainless...etc and plastic, ceramic, glass, stone, wood...etc smooth workpiece.
- 2.Workpiece of super thin which can not clamp by other way.

- *Material: S50C
- *Parallelism: $\pm 0.01\text{mm}$
- *Product: Precision ground
- *Plate: With harden treatment
- *Character: Circuit of air-in concealed.
- *Auxiliary parts: Silicone $\phi 4\text{mm} \times 4\text{meters}$

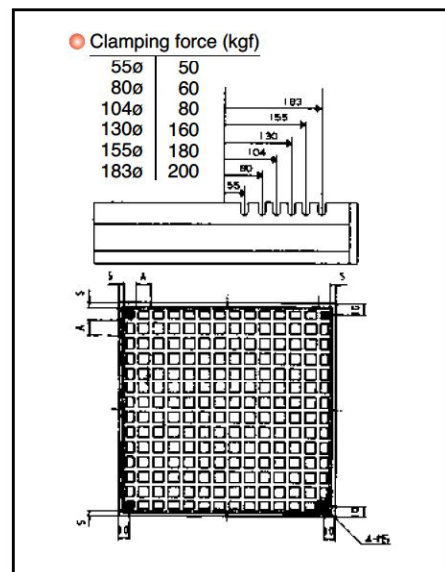
Clamping Force:

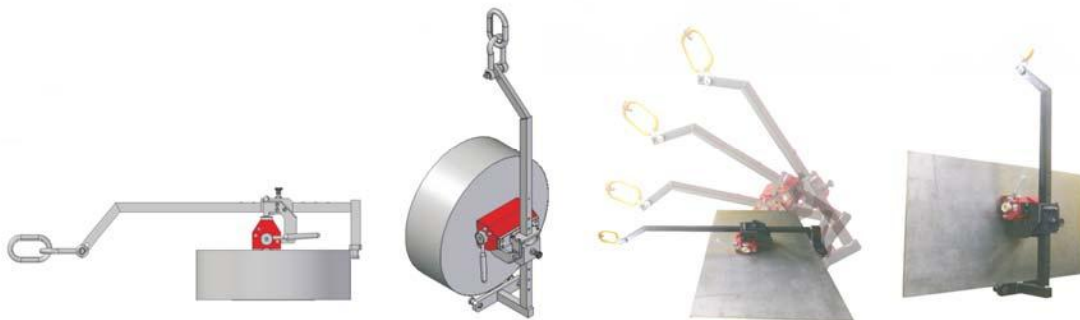
$$F = A \times P / 700$$

F:Clamping force (kgf)
A:Inhale area (cm²)
P:Air pressure (mmHg)

mm

MODEL	DIMENSION	GROOVES	PITCH	N.W
EGVC-1515	150x150	4mm	6 by 6mm	9.2kg
EGVC-1530	150x300	4mm	6 by 6mm	13.7kg
EGVC-2020	200x200	4mm	6 by 6mm	12.1kg
EGVC-2040	200x400	4mm	6 by 6mm	22.2kg
EGVC-2525	250x250	4mm	6 by 6mm	16.4kg
EGVC-2550	250x500	4mm	6 by 6mm	30.6kg
EGVC-3030	300x300	4mm	6 by 6mm	23.4kg
EGVC-3045	300x450	4mm	6 by 6mm	37.0kg
EGVC-3060	300x600	4mm	6 by 6mm	48.6kg
EGVC-3075	300x750	4mm	6 by 6mm	50.4kg
EGVC-4040	400x400	4mm	6 by 6mm	42.5kg
EGVC-4060	400x600	4mm	6 by 6mm	62.7kg
EGVC-4080	400x800	4mm	6 by 6mm	72.9kg
EGVC-40100	400x1000	4mm	6 by 6mm	103.0kg
EGVC-5050	500x500	4mm	6 by 6mm	59.2kg
EGVC-5075	500x750	4mm	6 by 6mm	87.8kg
EGVC-50100	500x1000	4mm	6 by 6mm	116.4kg
EGVC-50125	500x1250	4mm	6 by 6mm	145.0kg
EGVC-6060	600x600	4mm	6 by 6mm	78.6kg
EGVC-6090	600x900	4mm	6 by 6mm	116.0kg





SKÄRPVERKTYG AB

Kråketorpsgatan 10, 431 53 MÖLNDAL
Tel: 031-870050, Fax: 031-871415

info@skarpverktyg.se, www.skarpverktyg.se

